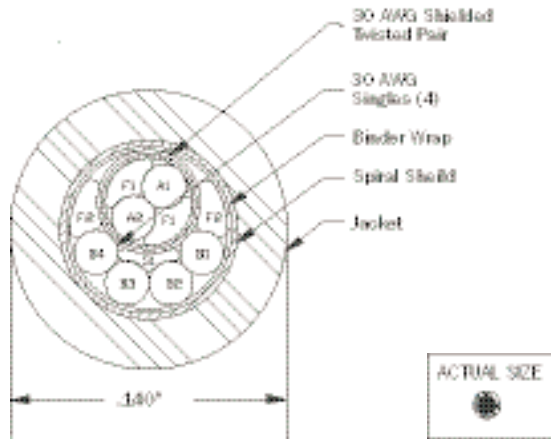
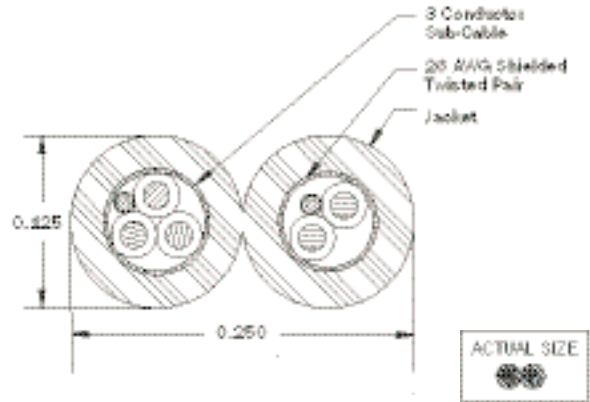


MEDICAL COMPOSITE CABLES

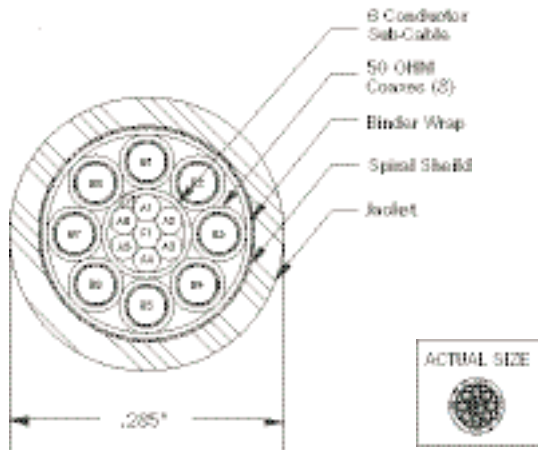
New England Wire Technologies offers an extensive range of sophisticated wire and cable products for the medical device manufacturer. Working with customer supplied requirements, our design and engineering staff specialize in product development, concurrent engineering, design for manufacturability and quick turn prototyping. The next few pages demonstrate a few of our design and manufacturing capabilities. Please call our design team to discuss your specific application.



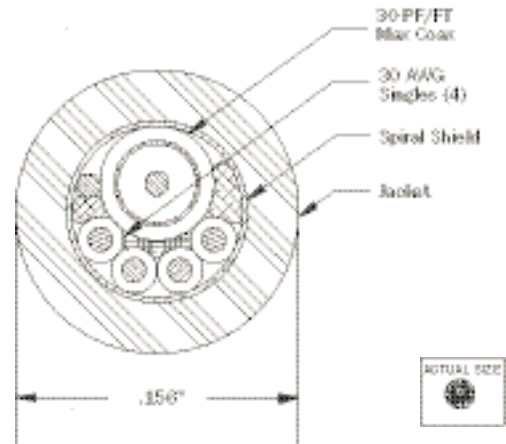
6 Conductor Cable: 30 AWG tinned copper shielded twisted pair, 4 - 30 AWG singles and fillers cabled around Aramid core then taped, shielded and jacketed with PVC to 0.140" O.D.



5 Conductor Zip Cord: 3 conductor shielded sub-cable, and shielded, twisted pair laid parallel then jacketed with silicone rubber to 0.125" by 0.250" wide.



14 Conductor Cable: 8 - 50 OHM NEWtral-E coaxes with PFA jackets cabled around 6 conductor sub-cable and then taped, spiral shielded and jacketed with polyurethane to 0.285" O.D.



5 Conductor Cable: 4 - 30 AWG Newaloy 61 polypropylene singles and a coax cabled around core with fillers; then spiral shielded and jacketed with polyurethane to 0.156" O.D.

www.newenglandwire.com

Tel: 603.838.6624